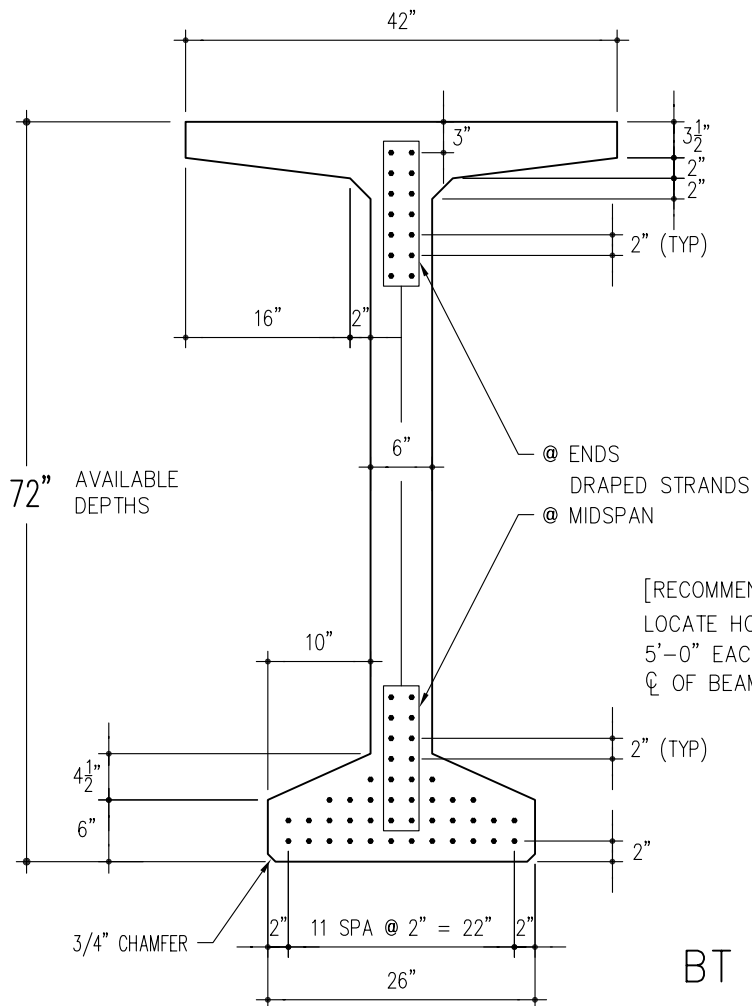


# PRESTRESS SERVICES INDUSTRIES LLC

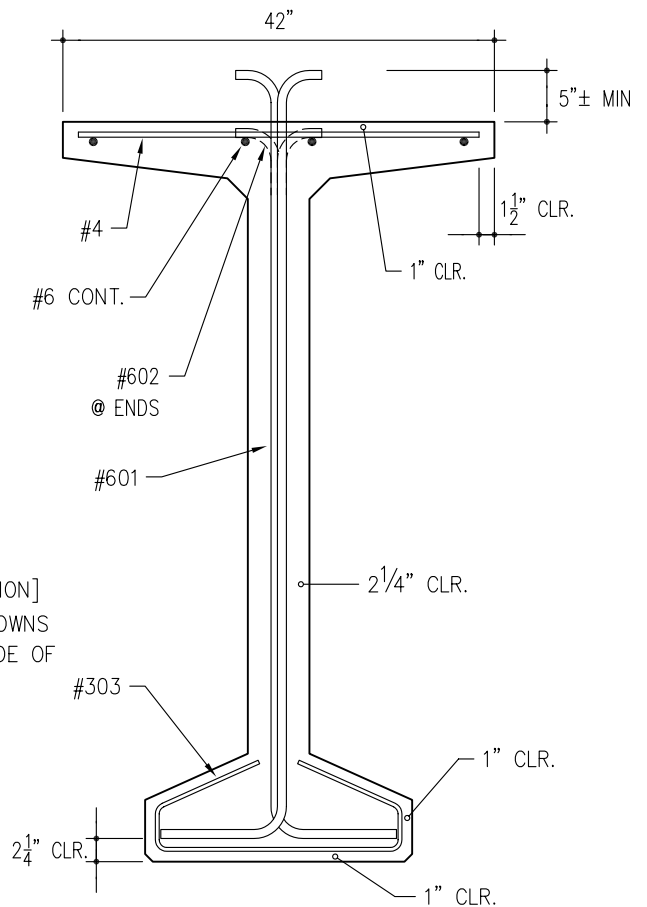
Lexington, Ky - Decatur, In - Melbourne, Ky - Columbus, Oh - Henderson, Ky  
 859.299.0461 - 260.724.7117 - 859.441.0068 - 614.871.2900 - 270.826-6244

## PCI Bulb Tee Reinforcement Details

Product Code	Depth (in)	Area (in <sup>2</sup> )	Y <sub>b</sub> (in <sup>4</sup> )	I <sub>xx</sub> (in <sup>4</sup> )	I <sub>yy</sub> (in <sup>4</sup> )	Weight (plf)
BT 72 42	72	766.4	36.6	545,113	37,543	799



[RECOMMENDATION]  
 LOCATE HOLDDOWNS  
 5'-0" EACH SIDE OF  
 C<sub>L</sub> OF BEAM



BT 72 42  
 SHOWN