

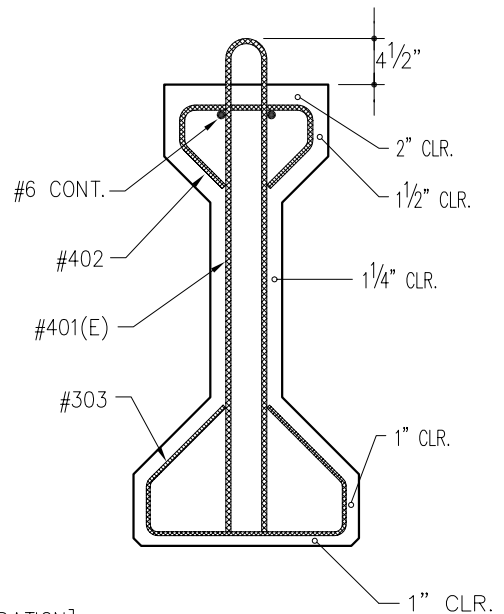
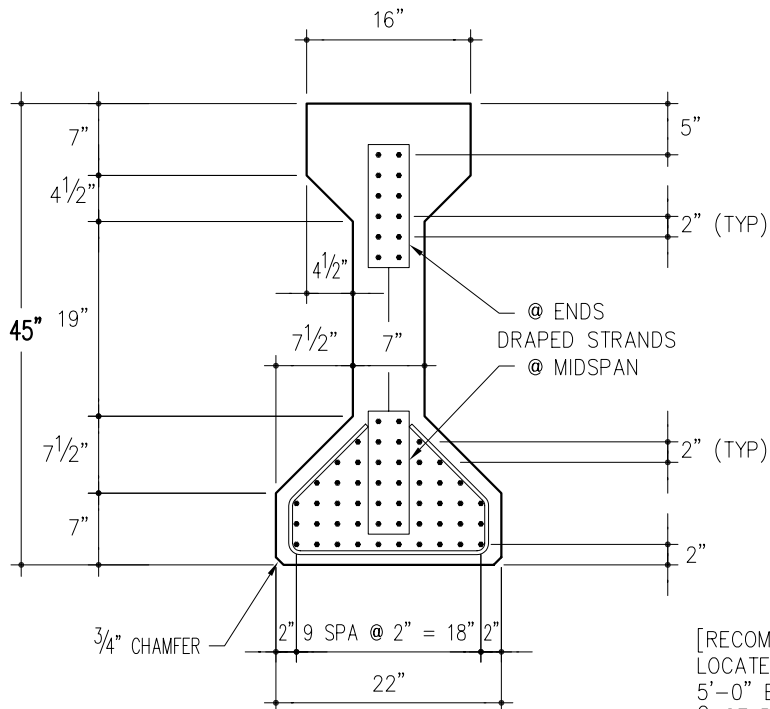
PRESTRESS SERVICES

INDUSTRIES LLC

Lexington, Ky - Decatur, In - Melbourne, Ky - Columbus, Oh - Henderson, Ky
 859.299.0461 - 260.724.7117 - 859.441.0068 - 614.871.2900 - 270.826-6244

AASHTO Type 3 I-Beam Reinforcement Details

Product Code	Depth (in)	Area (in ²)	Y_b (in ⁴)	I_{xx} (in ⁴)	I_{yy} (in ⁴)	Weight (plf)
3I	45	558.9	20.3	125,165	12,152	583



[RECOMMENDATION]
 LOCATE HOLDDOWNS
 5'-0" EACH SIDE OF
 C OF BEAM